

Lumos Hawk 150MK

➤ Powerful Fresnel Light

- No fan / No Noise (Convective heat transfer)
- CRI 95 Ra at 2800~6500K
- 600W Output
- 12~24V DC Free volt
- Compatible with wide range of batteries
- 15°~50° Beam angle
- Flicker free
- Stable dimming (0~100%)
- Standard DMX 512
- Suitable for the field and studio

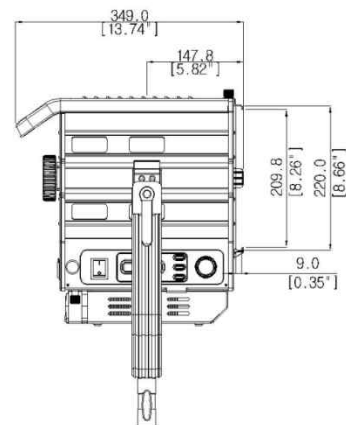
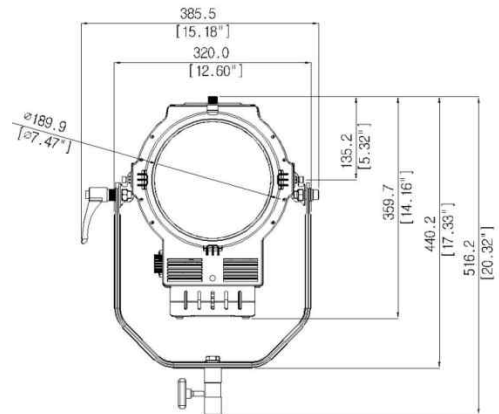


➤ Photometric information of Lumos Hawk 150MK

CCT	Beam angle	4 ft	8 ft	12 ft	16 ft	20 ft	1m	2m	3m	4m	5m
3200K	Spot (15°)	1,740 fc	491 fc	232 fc	134 fc	87 fc	27,835 lux	7,863 lux	3,711 lux	2,140 lux	1,392 lux
	Flood (50°)	378 fc	107 fc	50 fc	29 fc	19 fc	6,055 lux	1,710 lux	808 lux	465 lux	303 lux
5600K	Spot (15°)	2,435 fc	688 fc	325 fc	187 fc	122 fc	38,960 lux	11,006 lux	5,195 lux	2,995 lux	1,948 lux
	Flood (50°)	508 fc	143 fc	68 fc	39 fc	25 fc	8,125 lux	2,296 lux	1,083 lux	625 lux	407 lux

➤ Lumos Hawk 150MK Specifications

Power Consumption	150W Nominal / 160W Maximum	
Size	W320 * H360 * L349 (mm) W12.6 * H14.2 * L13.8 (inch)	
Weight	8 kg / 17.6 lb	
Color Temperature	2800~6500K	
E. Characteristics	AC 100~240V / 50~60Hz	
Input Voltage	12~24V DC (Free volt)	
Dimming	0~100% Manual / DMX 512	
Flicker	Flicker free	
Fresnel lens	190mm (7.47") PMMA Fresnel lens	
Beam angle	15° ~ 50°	
Cooling system	Natural convection (No fan)	
Certifications	CE, FCC	
Operating Temp.	0°C ~ 45°C	
Accessory	<ul style="list-style-type: none"> • V-mount / G-mount bracket • 4-leaf barndoor • Pole operated yoke (Panning / Tilting) • Diffusing filter 	
Color temperature	2800K	6500K
CCT Tolerance	±150K	±150K
CRI	95 Ra	95 Ra



Lumos Hawk

➤ Photometric information of Lumos Hawk Series (MK type)

Model		Beam angle		1m	2m	3m	4m	5m
Lumos Hawk 200MK 220W	Spot (15°)	Illumination	3200K	35,906 lux	10,143 lux	4,787 lux	2,760 lux	1,795 lux
			5600K	51,625 lux	14,624 lux	6,836 lux	3,944 lux	2,544 lux
		Beam diameter		0.46 m	0.73 m	1.00 m	1.27 m	1.54 m
	Flood 50°	Illumination	3200K	7,872 lux	2,224 lux	1,050 lux	605 lux	393 lux
			5600K	10,802 lux	2,506 lux	1,346 lux	747 lux	471 lux
		Beam diameter		1.13 m	2.06 m	3.00 m	3.95 m	4.87 m
Lumos Hawk 150MK 150W	Spot (15°)	Illumination	3200K	27,835 lux	7,863 lux	3,711 lux	2,140 lux	1,392 lux
			5600K	38,960 lux	11,006 lux	5,195 lux	2,995 lux	1,948 lux
		Beam diameter		0.46 m	0.73 m	1.00 m	1.27 m	1.54 m
	Flood 50°	Illumination	3200K	6,055 lux	1,710 lux	808 lux	465 lux	303 lux
			5600K	8,125 lux	2,296 lux	1,083 lux	625 lux	407 lux
		Beam diameter		1.13 m	2.06 m	3.00 m	3.95 m	4.87 m
Lumos Hawk 100MK 100W	Spot (15°)	Illumination	3200K	10,750 lux	2,688 lux	1,208 lux	672 lux	430 lux
			5600K	15,230 lux	3,808 lux	1,742 lux	952 lux	609 lux
		Beam diameter		0.38 m	0.65 m	0.91 m	1.17 m	1.44 m
	Flood 50°	Illumination	3200K	4,210 lux	1,053 lux	524 lux	263 lux	168 lux
			5600K	6,555 lux	1,639 lux	804 lux	410 lux	262 lux
		Beam diameter		1.05 m	1.99 m	2.92 m	3.85 m	4.78 m
Lumos Hawk 50MK 50W	Spot (15°)	Illumination	3200K	9,650 lux	2,413 lux	1,218 lux	603 lux	386 lux
			5600K	11,830 lux	2,958 lux	1,489 lux	952 lux	609 lux
		Beam diameter		0.38 m	0.65 m	0.91 m	1.17 m	1.44 m
	Flood 50°	Illumination	3200K	2,740 lux	685 lux	357 lux	171 lux	110 lux
			5600K	3,242 lux	811 lux	728 lux	410 lux	262 lux
		Beam diameter		1.05 m	1.99 m	2.92 m	3.85 m	4.78 m

Lumos Hawk

➤ decibel measurements of Lumos Hawk Series

Model	1m	2m	3m
Lumos Hawk 400 400W	28 dB	24 dB	22 dB
Lumos Hawk 200 / 200A 200W / 220W	21 dB	19 dB	18 dB
Lumos Hawk 100 100W	20 dB	19 dB	18 dB

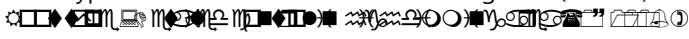
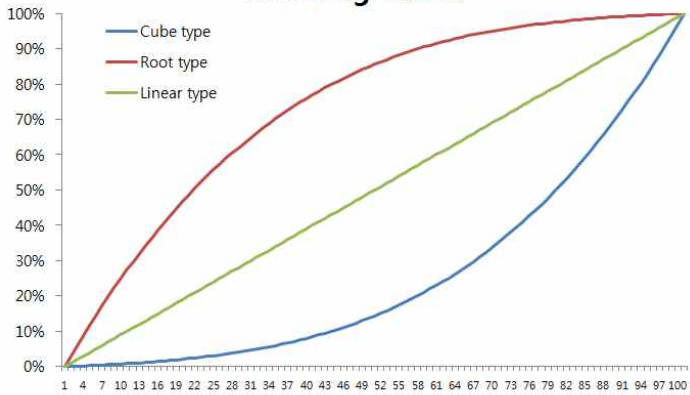
Hybrid cooling system

The patented technology to improve air flow to cool down the heat created inside the product. Usually the convection heat mode is at low dimming stage.

However fan will be turned on at certain dimming stage as below.

- Hawk 400 : Cube 86~100%, Linear 61~100%, Root 28~100%
- Hawk 200 : Cube 93~100%, Linear 76~100%, Root 39~100%
- Hawk 100 : Cube 80~100%, Linear 51~100%, Root 22~100%

➤ Mode

Mode	Function
Dimming	<ul style="list-style-type: none"> • Stable Dimming (0~100%) • Enable to customize the dimming step as each 1% or 4~5%
Dimming curve	<ul style="list-style-type: none"> • Customized dimming steps are available • 3-way Dimming curve select to mode button <ul style="list-style-type: none"> ➤ Linear type : Normal increase of lighting intensity ➤ Cube type : Detailed control in Low dimming area (0~50%) ➤  <div style="text-align: center;"> <p>Dimming Curve</p>  </div>
DMX channel	<ul style="list-style-type: none"> • Standard DMX 512 • Compatibility with various DMX Controllers • Firmware available for most DMX Controllers • Change DMX channel (1~512)
12~24V Free volt	<ul style="list-style-type: none"> • Compatible with wide range of batteries. • V-mount battery or Gold-mount battery